

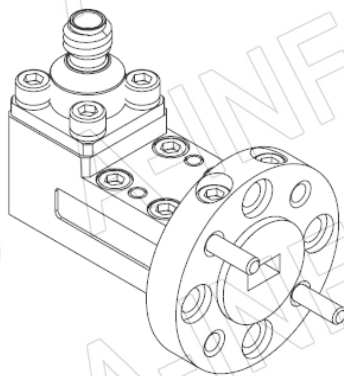
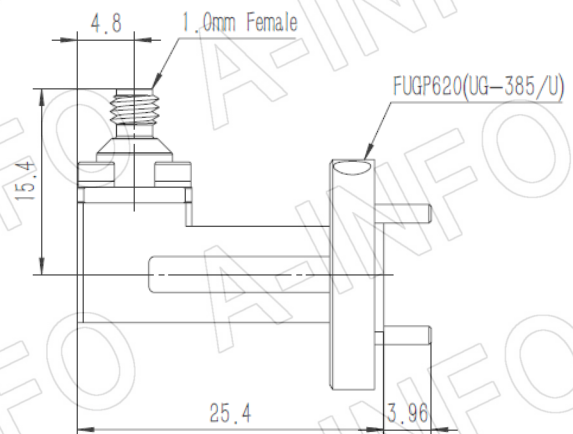
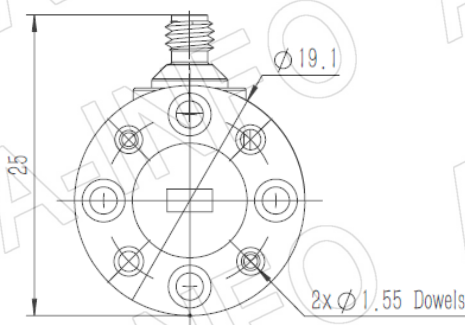
For reference only. See data sheet for the detailed specifications.

Technical Specification



EIA WR	WR15
Frequency Range(GHz)	50.0 – 75.0
Insertion Loss(dB)	1.0 Max.
VSWR	1.50:1 Max.
Flange	FUGP620(UG-385/U)
Connector	1.0mm-Female
Average Power(W CW)	3 Max.
Peak Power(W)	5
Material	Cu
Size(mm)	25.4 x 19.1 x 25
Net Weight(Kg)	0.03 Around

Outline Drawing (Size: mm)



AINFO Inc.

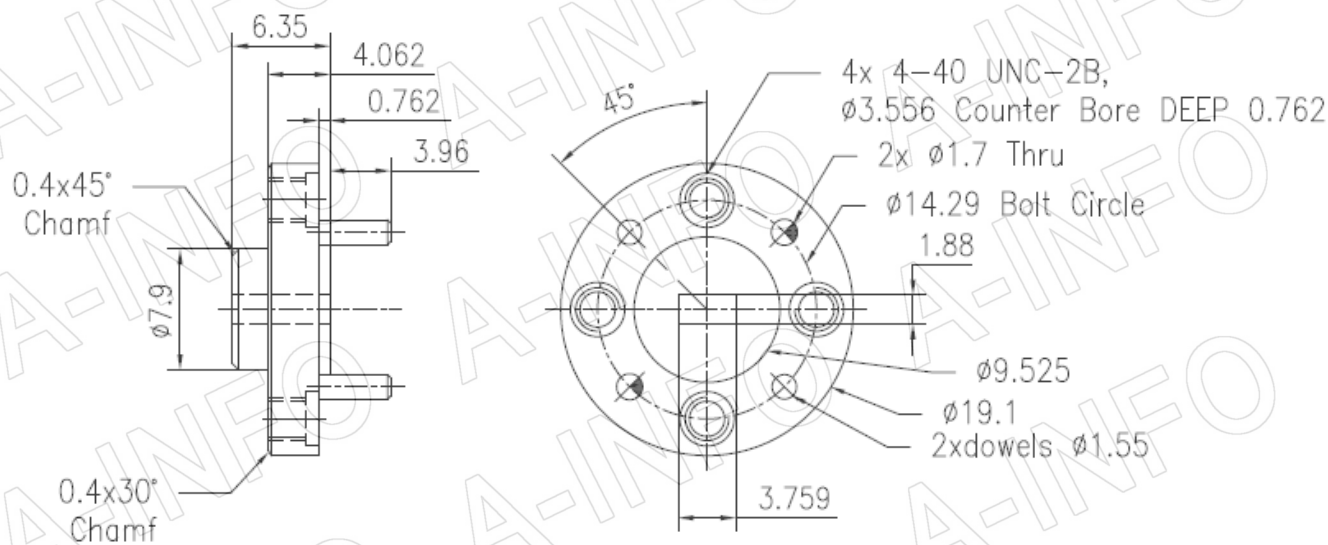
Page 1 of 3

China(Beijing): Tel: (+86) 10-6266-7326,
 China(Chengdu): Tel: (+86) 28-8519-2786,
 USA: Tel: (+1) 949-639-9688,

(+86) 10-6266-7327 Fax: (+86) 10-6266-7379
 (+86) 28-8519-3044 Fax: (+86) 28-8519-3068
 (+1) 949-639-9608 Fax: (+1) 949-639-9670

Website: www.ainfoinc.com
 Email: sales@ainfoinc.com

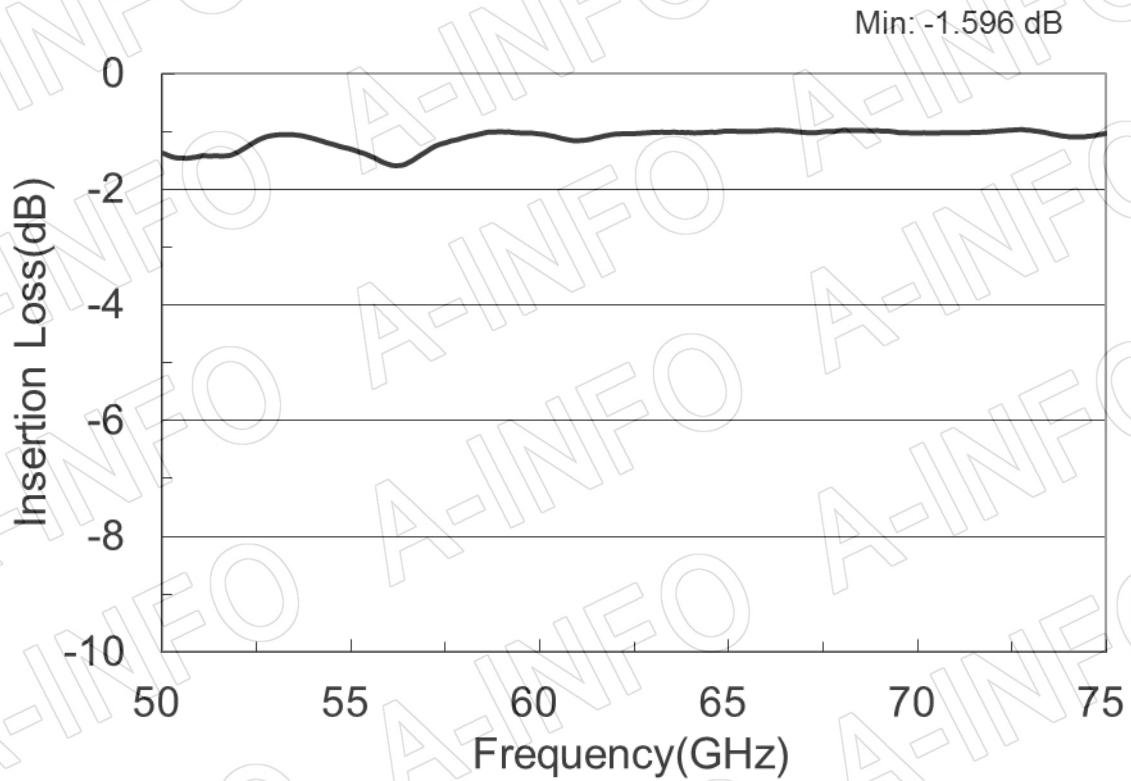
Flange Drawing (Size: mm)



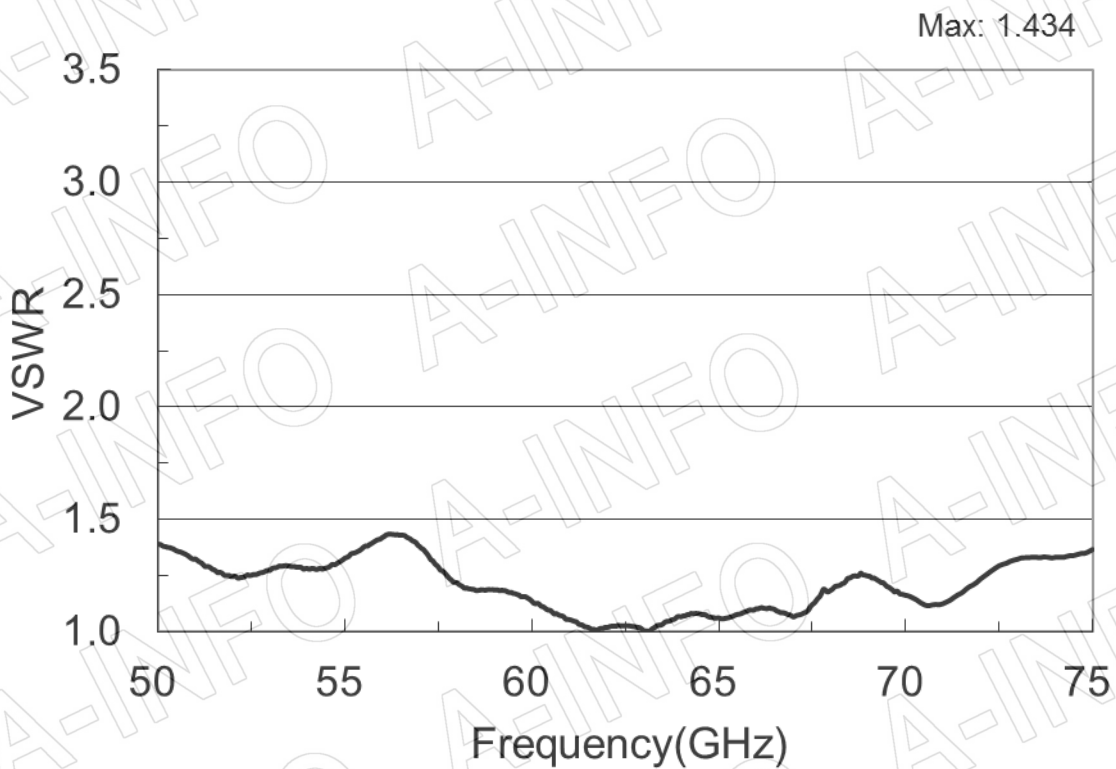
FUGP620
(equivalent to UG-385/U)

Test results

I. L. (Test with two adapters back to back)



VSWR



AINFO Inc.

Page 3 of 3

China(Beijing):
China(Chengdu):
USA :

Tel: (+86) 10-6266-7326,
Tel: (+86) 28-8519-2786,
Tel: (+1) 949-639-9688,

(+86) 10-6266-7327
(+86) 28-8519-3044
(+1) 949-639-9608

Fax: (+86) 10-6266-7379
Fax: (+86) 28-8519-3068
Fax: (+1) 949-639-9670

Website: www.ainfoinc.com
Email: sales@ainfoinc.com